



I.E. PARK international

Arts & Fun for Tourism and Sport Special Projects

NEWS 2023



Energy

RECHARGE

Description

The speed boat is a family ride that allows family and kids to test their navigation skills and become captains of their boat.

The current model provides 4 seat boat.

For kids it will be a big thrill take control of the speed boat.

The boats can either be used in (pools or small lakes or navigate in a circuit. Loading and off-loading can take place at a regular dock. The boats are stable with excellent steering performance, and operate at low speed, enabling children to be safe. The boat can be driven by means of a steering wheel and a pedal, placed in the driver's seat, can control the acceleration. It is provided of lateral rubber bands for anti-collision system and a not-slip surface on floor.

The battery boats are powered by:
 - 2 brushless motors with Helix/fun cabling for drive and batteries.
 - Steering with encoder and electronic board for control
 - Digital timer
 - Power control for brushless
 - 2 batteries AGM24V 100Ah (540) and charger 20 Ah

The product is made with vinylester resin and gelcoat to avoid osmosis caused by the water.

We can also produce new design on specific customer's request.
 THE RIDE IS CALCULATED WITH STANDARD EN 13814-2019

BATTERY SPEED BOAT



Energy

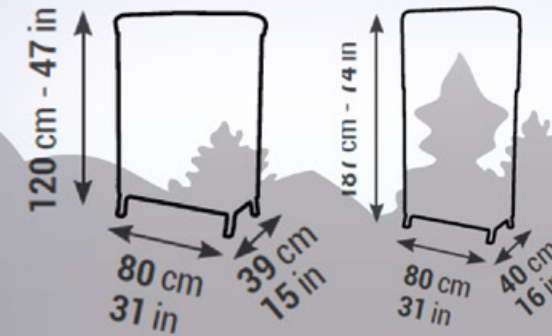
RECHARGE

Battery Speed boat

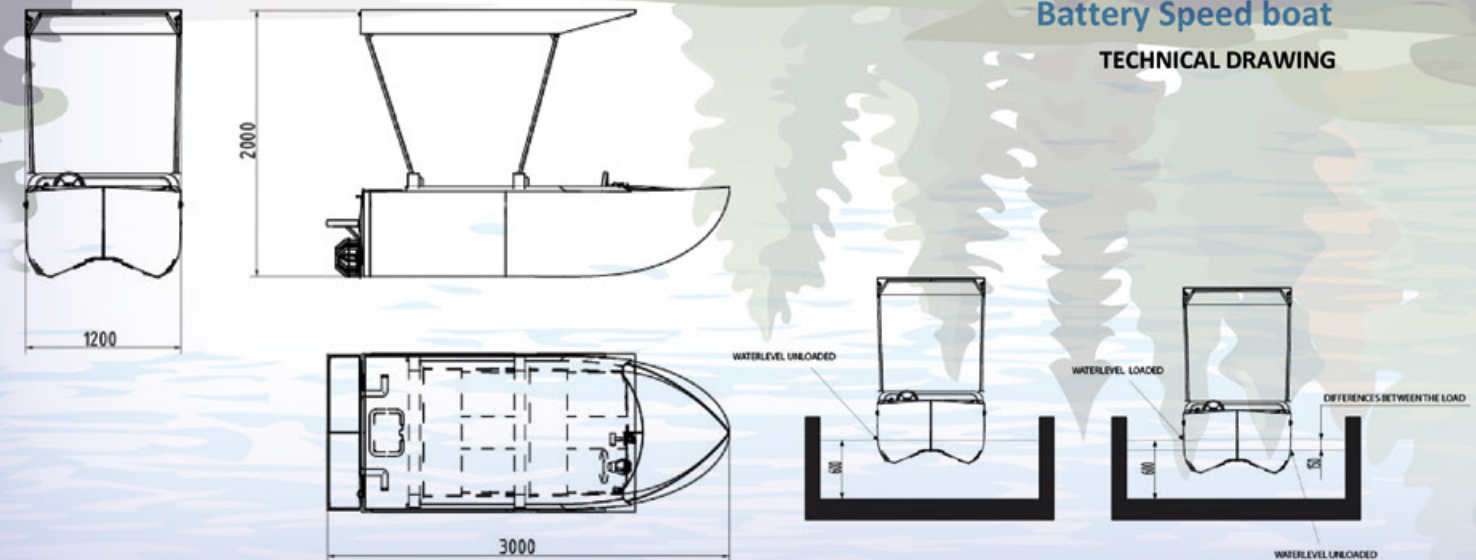
RECHARGING STATION

Quantity of recharging station per boat	
Qty charging station	Nr. Rechargeable boat
1	8
2	16
3	24
4	32

DECORATED CHARGING STATION



Battery Speed boat TECHNICAL DRAWING



TECHNICAL DATA

Boat capacity	4 adults
Dimensions	3000 x 1200 x 2000 mm
Weight (net)	440 kg
Speed	2.7 km/h
Minimum Deep Water	60 cm
Shipping volume for 1 boat	3190 x 1400 x 1130 x 580 kg

ELECTRICAL DATA

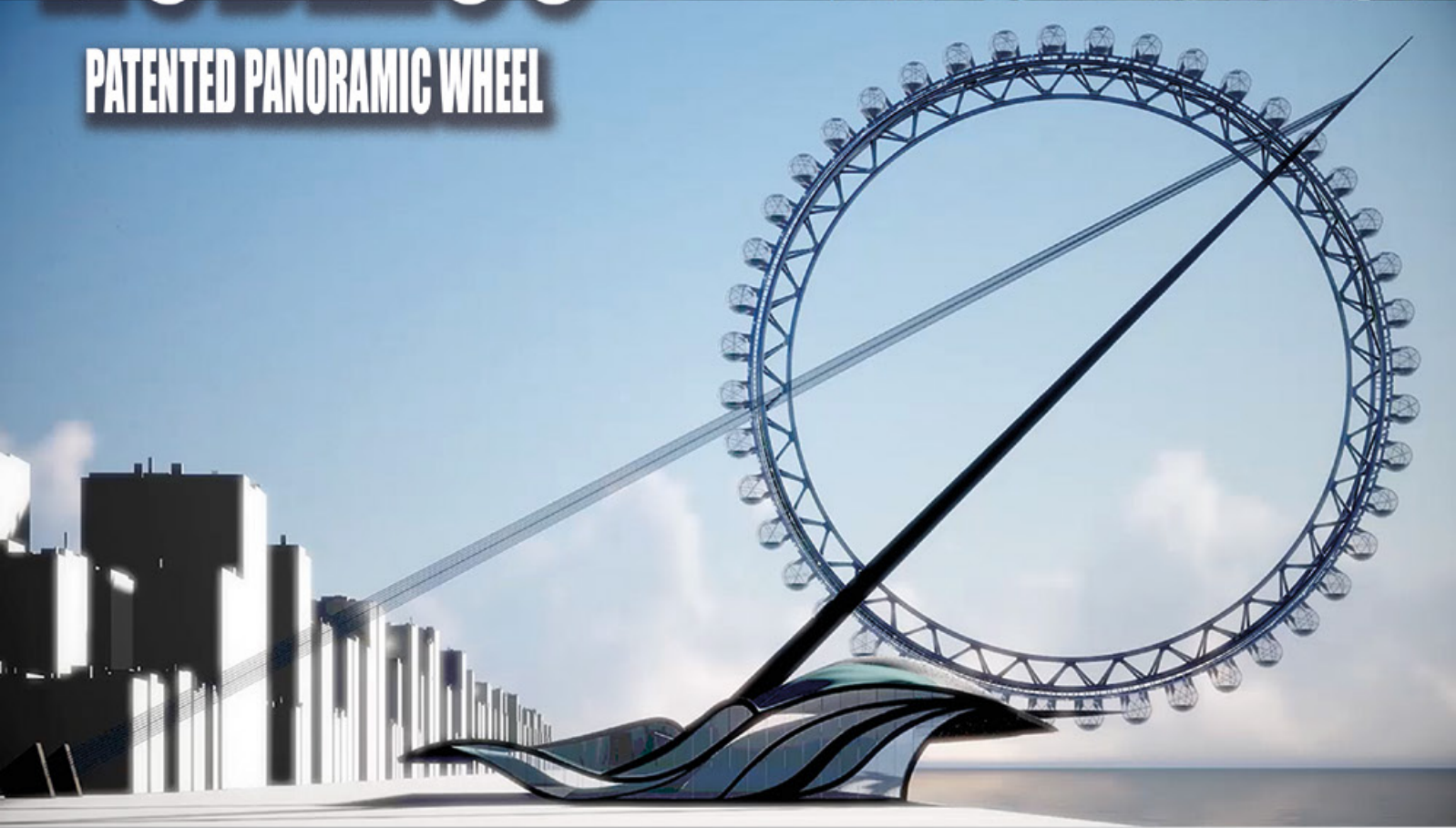
Electrical system	24 V - Battery X 6 unit
Battery Autonomy	4 - 8 Hours
Battery recharge	8 Hours
Acceleration	Lever with micro braker
Noise level	<80db
Shipping volume x container	6 boats

Passengers age/height restrictions: Minimum admissible age 2 years old, height 90 cm - Accompanied

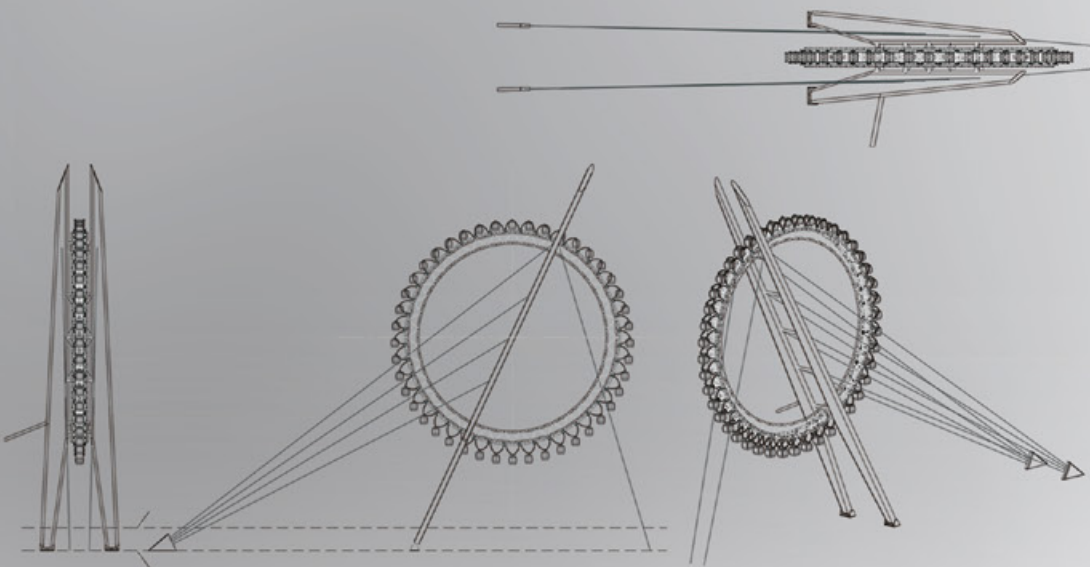
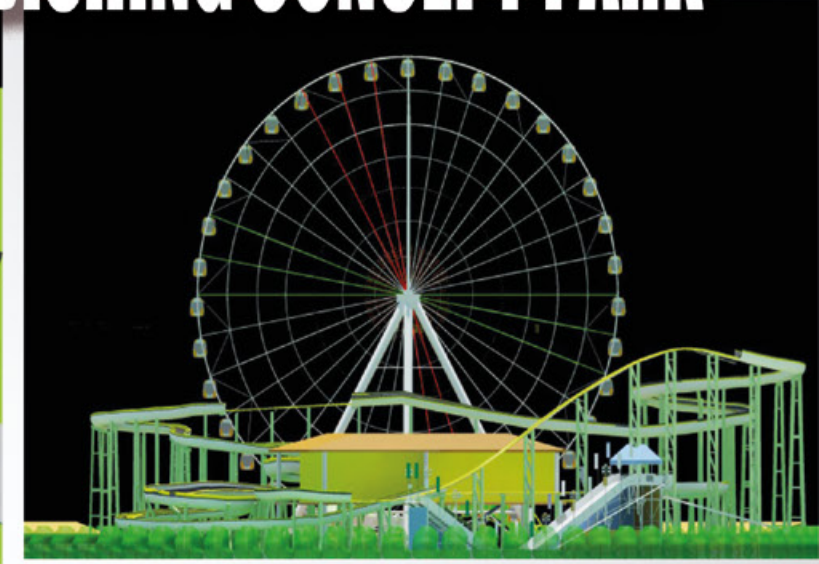


HUBLESS

PATENTED PANORAMIC WHEEL



PARK PROJECT & REFURBISHING CONCEPT PARK

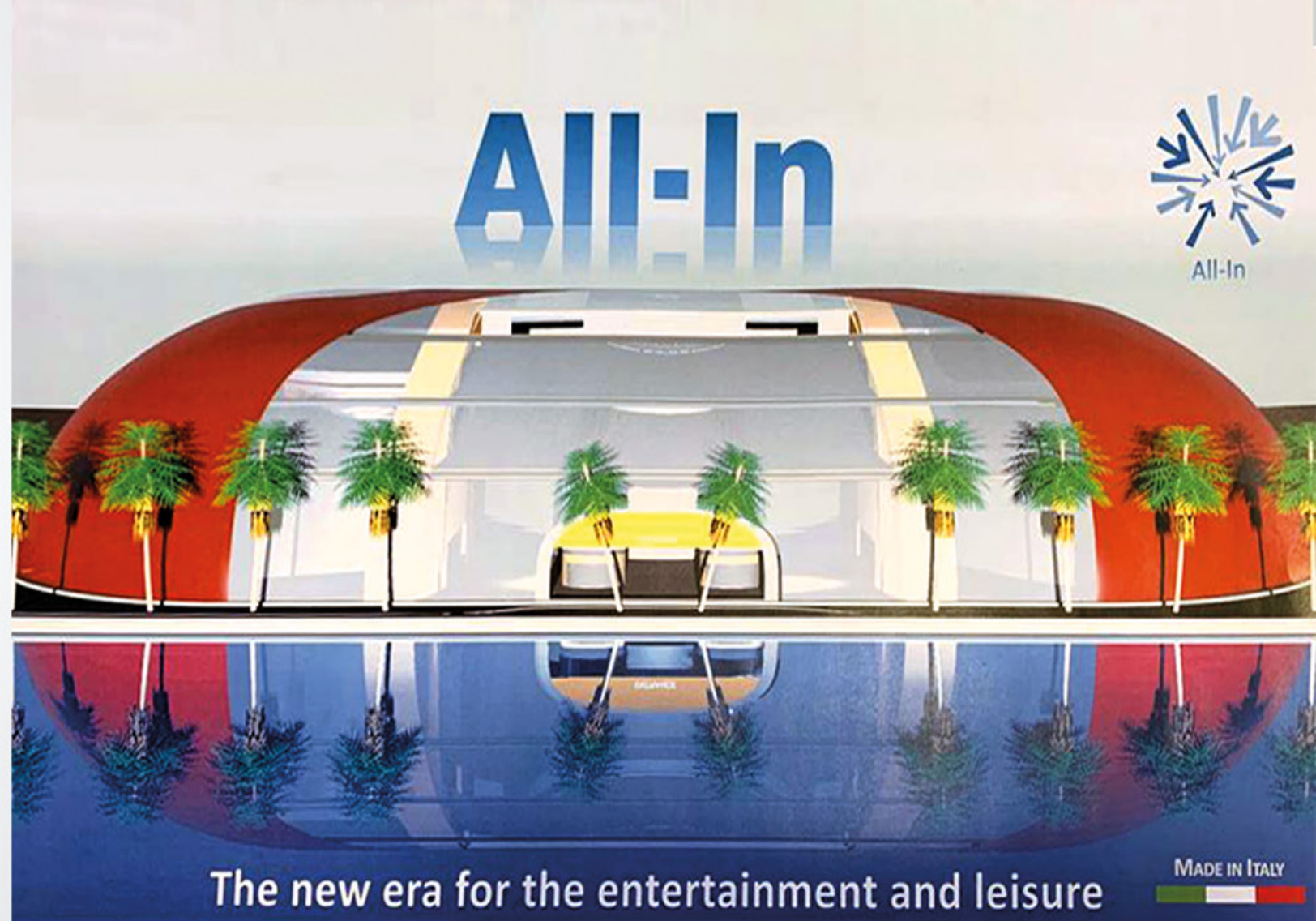




AMUSEMENT PARKS MASTERPLAN

Project & Design

.06



ALL-IN PROJECT

All-In Services Evolutions

.07





DRY SLIDES

Project & realization



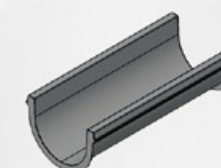
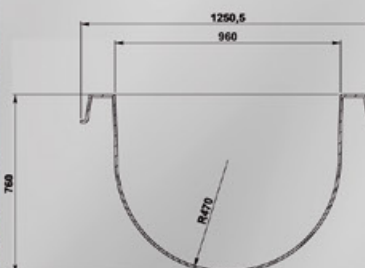
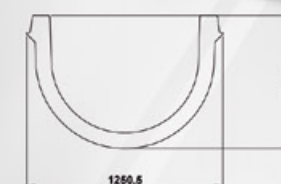
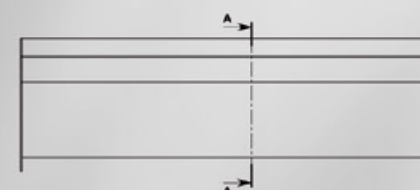
DRY SLIDES

TOBOGGAN RUN slice with mats

NEWS2023



I.E.Park International offer to the market its production of dry slides with tubbies



DRY SLIDES

STRAIGHT SLIDES - CURVED SLIDES - CHILDREN SLIDES

I.E.Park® International offer to the market its production of dry slides with tubbies and Neveplast®

These gravity slides have been designed and constructed for use of adults up to 200 cm of height and children over 8 years old.

The slides are produced in fiberglass and are coated with slide material "Neveplast®".

The slopes can reach banking of 10°-30° and the minimum turning radius is 4 mt.

The type of the slides are two: Children model (slow speed 28-30 Km/h) and thrill model (High speed 40-45 Km/h).

The slides are produced using fiberglass reinforced with metal frames and are supported by a metal structure composed

by columns and beams.

System is equipped with launch platform for the slide under the operator's supervision.

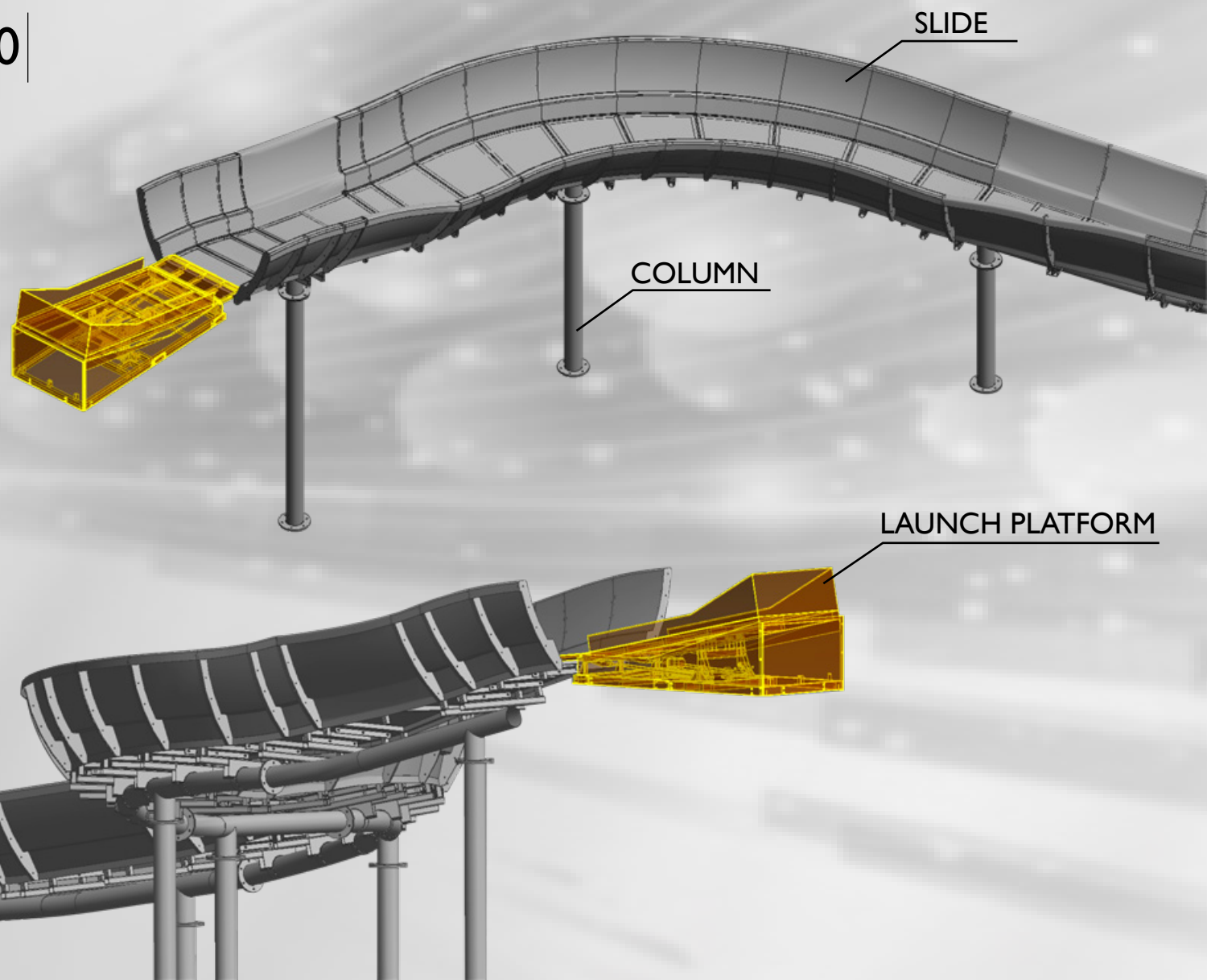
The tubby can accommodate one person (adult or child).

In this way the tubbies clear the platform and slide down on separate lanes by gravity, until they stop on slide at end.

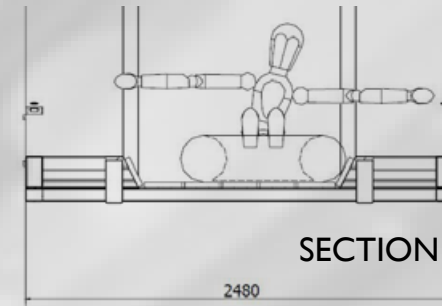
The slide lanes are separate so there is no contact between tubbies.

Slide length depends on the height of the project.

.10

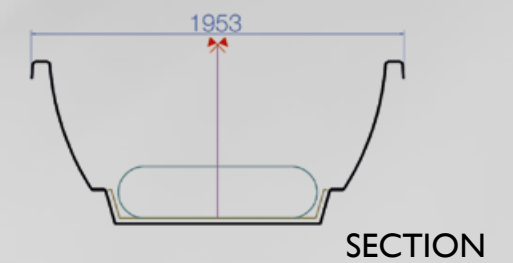


STRAIGHT SLIDES ICE MOUNTAIN



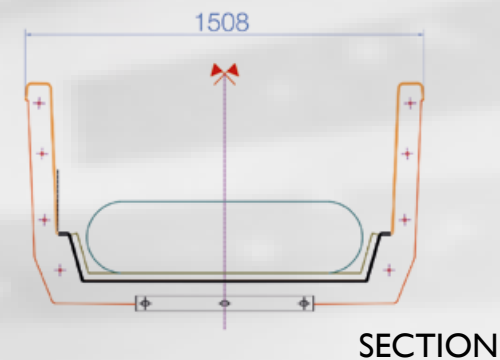
28÷30 km/h SPEED

CURVED SLIDES BOBSLED



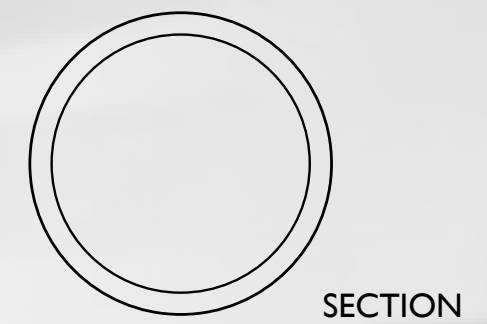
40÷45 km/h SPEED

CURVED SLIDES DUORACES



28÷30 km/h SPEED

CHILDREN SLIDES SPIRAL

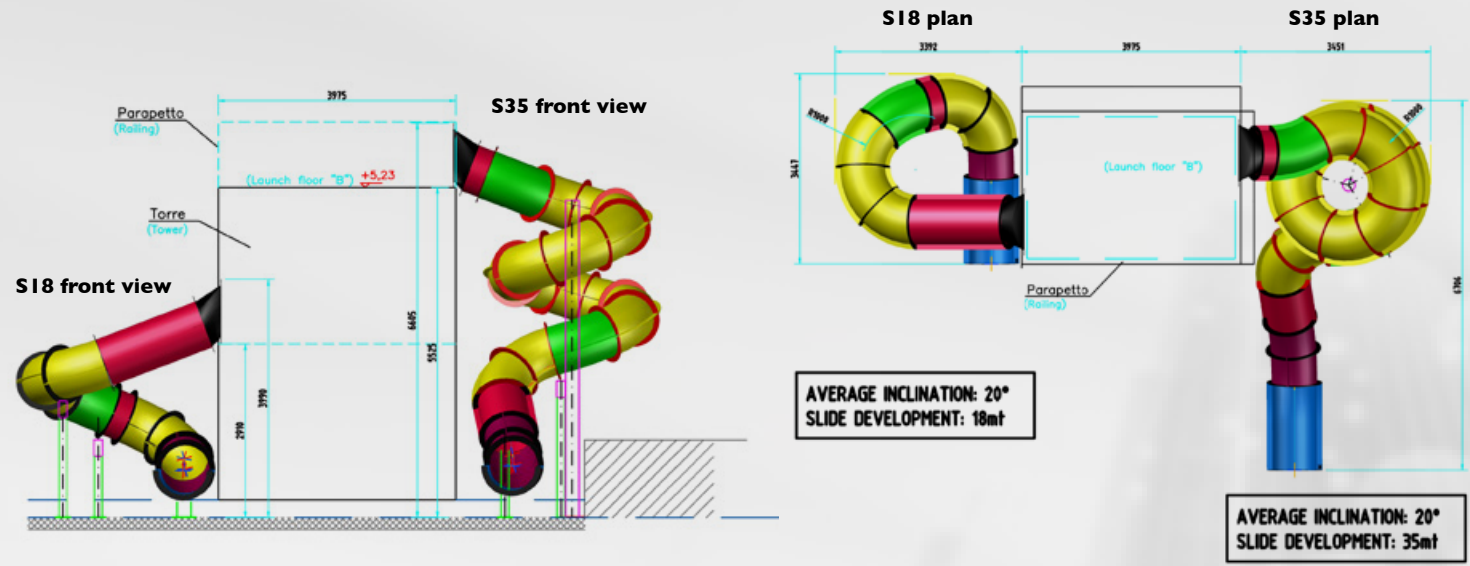


free SPEED

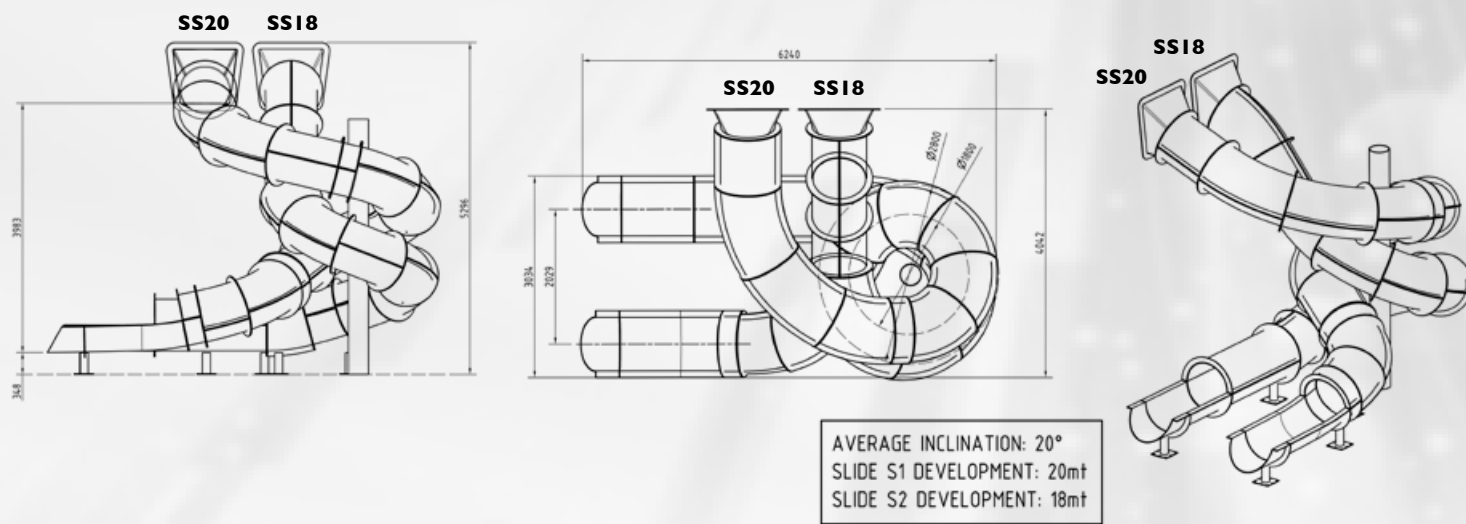
.11

CHILDREN SLIDES

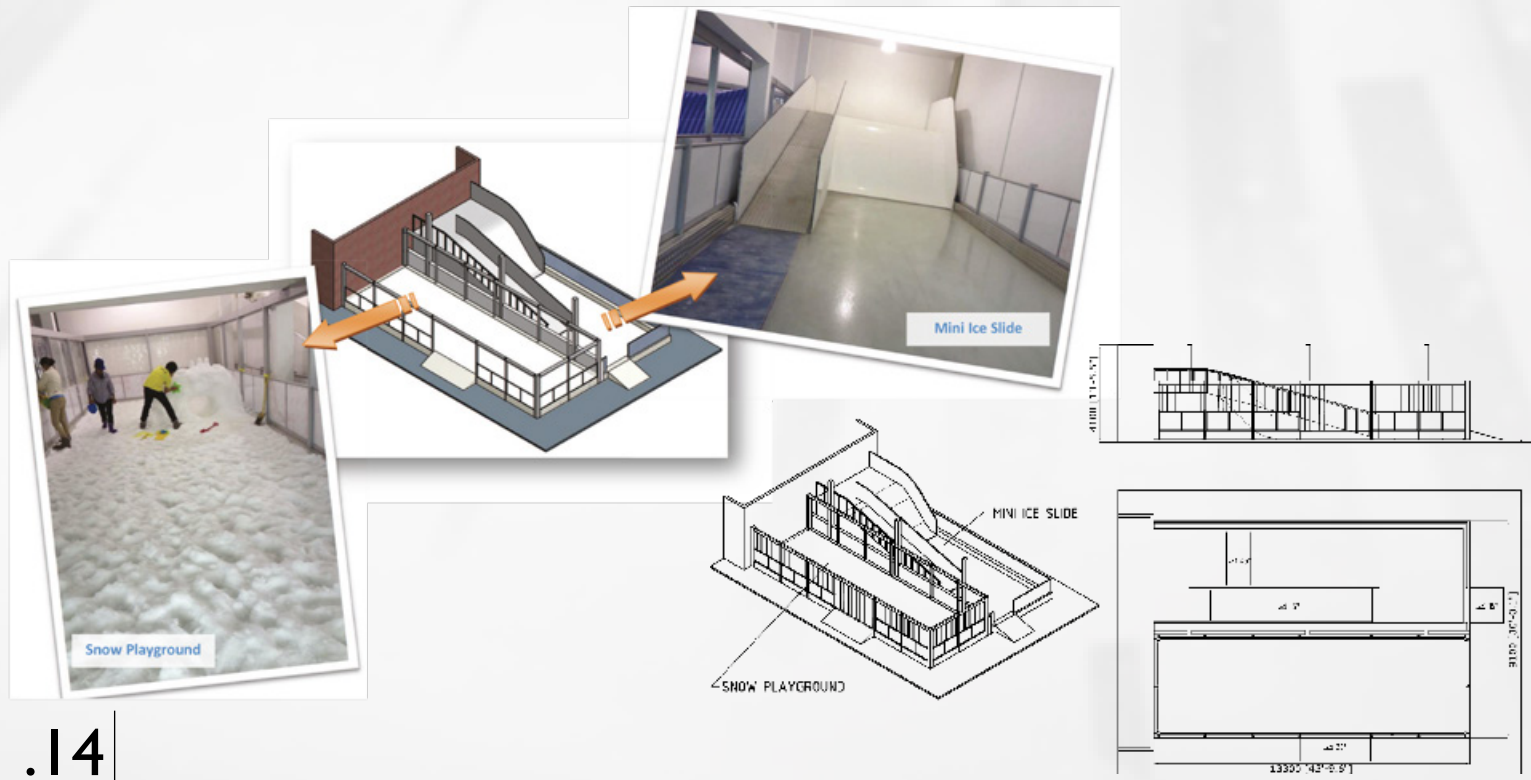
SINGLE SPIRAL



DOUBLE SPIRAL

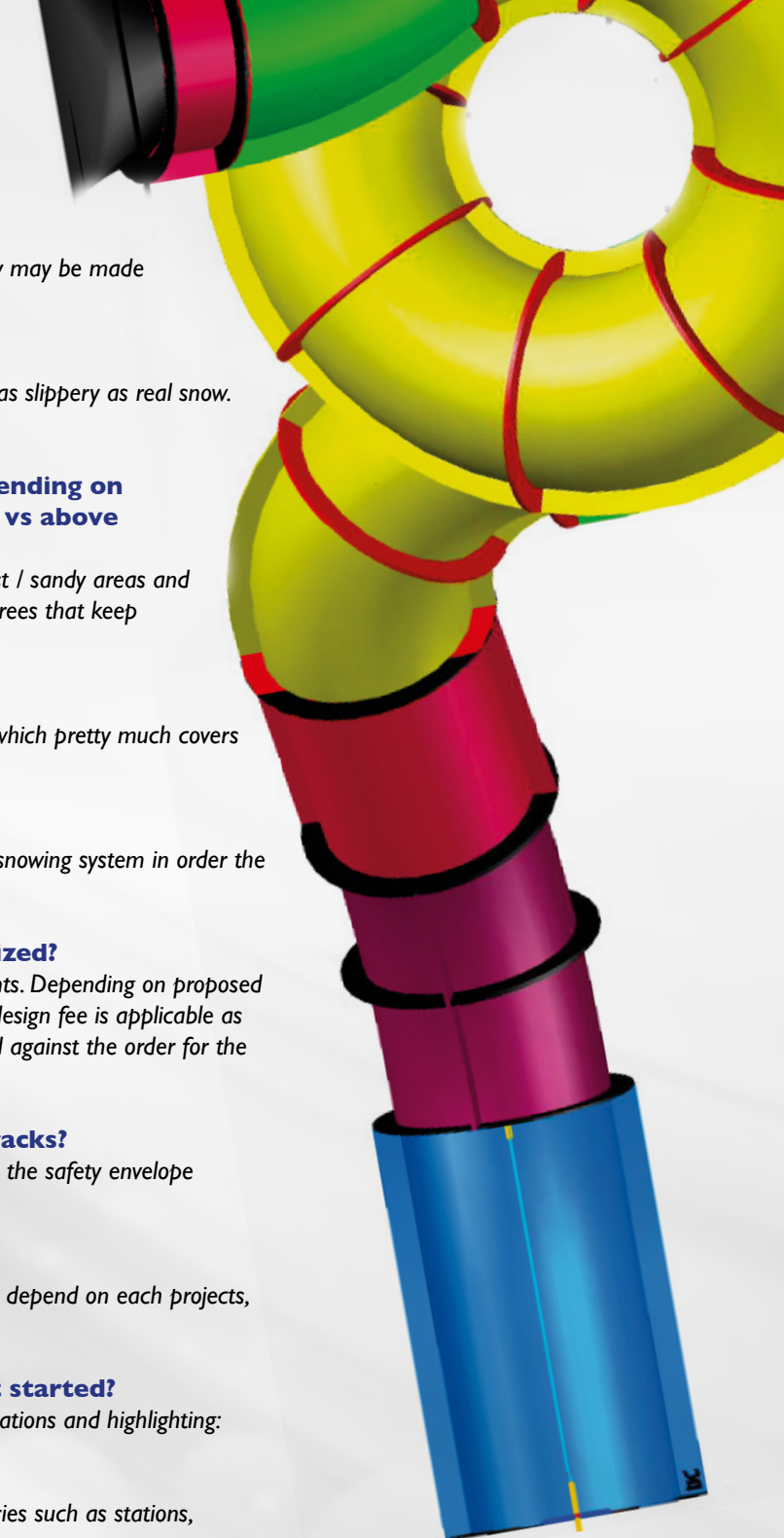


SNOW PLAYGROUND AND MINI ICE SLIDE



F.A.Q.

- Which material is the body of the slide made of?**
 Depending on the model as well as on the project requirements, the body may be made of iron or fiberglass.
- Which ground is exactly used for the tubes?**
 It is called Neveplast®. Neveplast® is the first and only synthetic material as slippery as real snow. This allows a smooth and fairly maintenance free slide over time.
- Is the media used for sliding going to be different depending on installation conditions (indoor vs outdoor; below zero vs above zero environment)?**
 No. However, it is not recommended to have the slides close to heavy dust / sandy areas and in any condition whereby dust constantly falls over the track (e.g.: under trees that keep dropping leaves).
- Can the slides be used all year?**
 Yes. Neveplast® materials have an operation range from -40 C to +40C which pretty much covers all possibilities
- Heating it's an option: For what exactly is that uses?**
 We insert the heating cable in the frozen environment (under 0°C) with snowing system in order the melt the snow on the Neveplast® ground.
- Is this a "off the shelves" product or can it be customized?**
 The slides are mainly custom made according to each project requirements. Depending on proposed starting and arrival points, calculations will be made accordingly. A basic design fee is applicable as each project needs to be studied individually. The said fee is then rebated against the order for the equipment
- Can the slides paths consist of multiple overlapping tracks?**
 Yes. However, this has to be studied case by case individually according to the safety envelope available.
- How do people ride up to starting point?**
 There are different options such as travelator, lift or stairs: this will mainly depend on each projects, slide length and height, space available etc. We will advise case by case.
- What basic information do you need to provide to get started?**
 We need the plan of your proposed location in .dwg format, with the elevations and highlighting:
 - Proposed starting point
 - Proposed ending point
 - Total proposed allocated space (inclusive of provisional space for ancillaries such as stations, travelators, tubes storage etc).
- Approximate timeline for production:**
 Approx 6 months. Depending on individual project.
- Approximate price:**
 Depending on individual project.
- Information Material:**
 - Brochure of the Ice Mountain
 - Newsletter international
 - Brochure Curved Slides
 - Videos on youtube
- References**
 - 1 x Bobsled / 180 m
 - 4 x Bobsled / 45-50 m
 - 1 x Duoracer / 90 m
 - 1 x Bobsled / 120 m
 - 3 x Children Slide





Arte & Fun
for Tourism and Sport
Special Projects



& more with us

I.E.Park International s.r.l.
42124 Reggio Emilia, Italy
Ph: +39.0522.678526
www.iepark.eu / info@iepark.eu